

ARXX 90° and 45° Connectors

ARXX introduces 90° and 45° panel connectors as cost effective, fast and flexible field solutions for solving unique corner situations, T-Walls and pilaster applications.

Now one size can fit all.

The design flexibility of ICFs sometimes leads to unique angles and design features that need to be accommodated during construction. Pre-manufactured T-Wall and corner forms do not always provide a cost effective and flexible solution. The new ARXX panel connectors solve this problem by creating T-Walls, pilasters or corners using standard ARXX ICF forms with the panel connectors. This gives you the flexibility to keep project schedules tight, reduce inventory and the numbers of different types of forms required for jobs. The use of panel connectors can result in a lower cost per square foot (than comparable pre-manufactured forms) with the added benefit of being flexible enough to meet any field solution required.

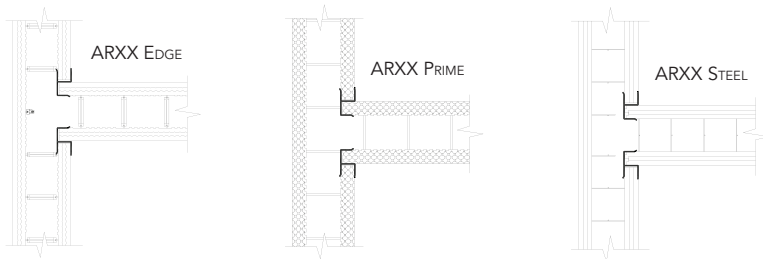
“The ARXX 90° and 45° connectors - cost effective, fast and flexible field solutions for ICF.”

FEATURES INCLUDE:

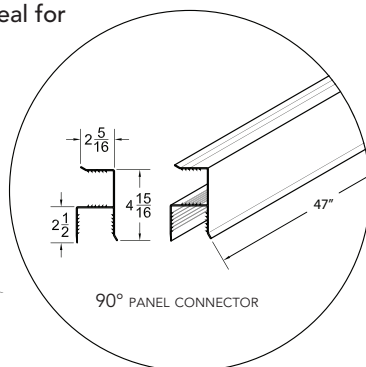
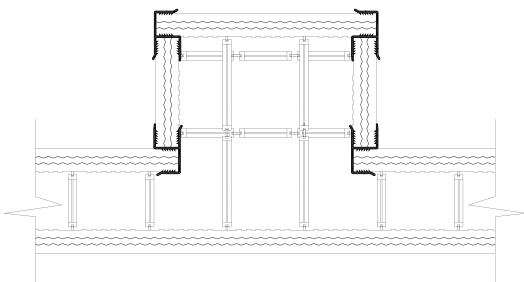
- Provides fast, easy 90° and 45° corner solutions for core sizes where pre-manufactured corners are not available or suitable.
- Reduces the transportation costs and logistics of having to order specialty forms.
- Flanges are designed to enable easy application of interior and exterior finishes.
- The length of 47 inches is designed for up to three ARXX ICF courses at a time, making it easy and efficient to use.
- The panel connectors are made from durable extruded vinyl and assist with the easy application of exterior or interior applications.

ARXX 90° PANEL CONNECTORS

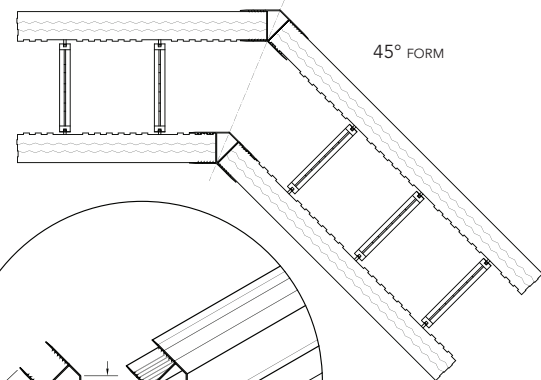
T-Walls: ARXX 90° panel connectors allow T-Walls to be built quickly and efficiently. Simple straight cuts to the forms maximize speed of construction.



Pilasters: The ARXX 90° panel connector is ideal for building pilasters and wall columns.



ARXX 45° PANEL CONNECTORS



Please contact Customer Service for pricing and shipment details.

ARXX is the leading supplier of Insulating Concrete Forms (ICFs) for green, energy-efficient residential and commercial construction. Our products have been used in over 105,000 projects including numerous LEED projects, homes, schools, hotels and more. For technical bulletins or more information on ARXX ICF products, including these new connectors, please visit us online at www.arxx.com or contact the ARXX Technical Department.

ARXX™ ICF
Redefining building.

1.800.293.3210 | www.arxx.com

Redefining building.