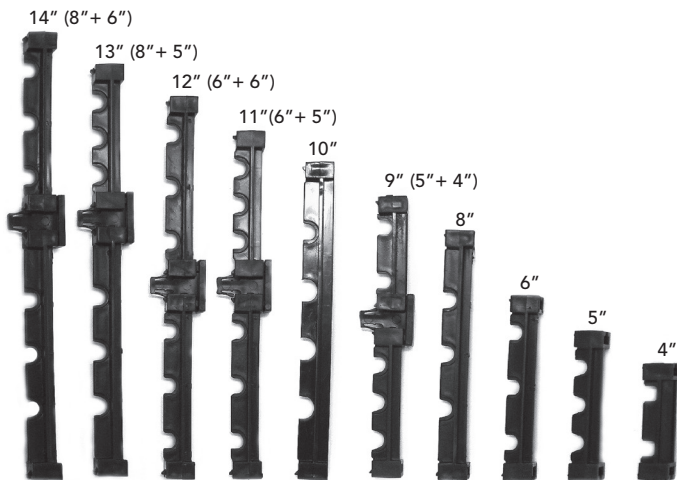


ARXX Edge 5 Inch Connector

The new ARXX Edge 5 inch connector is the latest ARXX innovation to address building industry needs and further enhance the ARXX Edge ICF product line, making it even more versatile.

ARXX INNOVATION: The new 5 inch ARXX Edge connector is an innovative solution for demising or party walls. Working with 4 inch core ICFs creates challenges on the jobsite that reduce the speed of construction. Having only 4 inches of width is less than optimal to place rebar and maneuver vibrators between and around the rebar. The space restrictions with rebar can also affect the flow of the concrete during placement, a critical element required to provide the superior strength and structural integrity of ARXX ICFs. The new ARXX 5 inch core size provides an optimal working space to quickly and efficiently facilitate rebar and concrete placement, without the added costs of increasing the wall width to a 6 inch core.

ARXX EDGE VERSATILITY: The ability to create core sizes in 1 inch increments allows you to select the optimal width for every job ensuring you have full cost control.

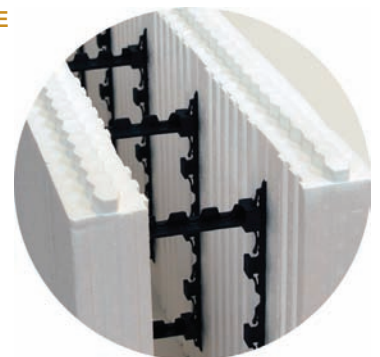


“The ARXX Edge 5 inch connector provides an industry first 5 inch concrete core solution.”



FEATURES INCLUDE:

- ALLOWS DESIGNERS TO MAXIMIZE DESIGN EFFICIENCY BY UTILIZING 1 INCH CONCRETE CORE INCREMENTS WHEN USED IN UNISON WITH OTHER ARXX EDGE CONNECTORS AND SPLICE CONNECTORS
- FACILITATES FAST AND EASY PLACEMENT OF RE-BAR AND CONCRETE WITH INTERNAL CONSOLIDATION
- 2 HOUR FIRE RESISTANCE RATING
- STC RATING OF 50 MAKES IT IDEAL FOR INTERIOR DEMISING OR PARTY WALLS
- PROVIDES TOTAL WALL WIDTH OF 10 INCHES (CORE + EPS)



ARXX is the leading supplier of Insulating Concrete Forms (ICFs) for green, energy-efficient residential and commercial construction. Our products have been used in over 100,000 projects including numerous LEED projects, homes, schools, hotels and more. For a complete product catalogue or more information on ARXX ICF products:

ARXX™ ICF
Redefining building.

1.800.293.3210 | WWW.ARXX.COM

Redefining building.