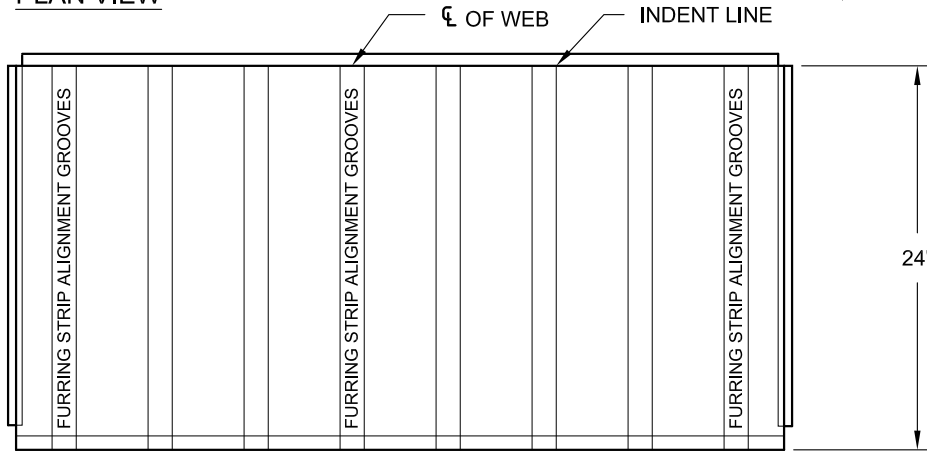
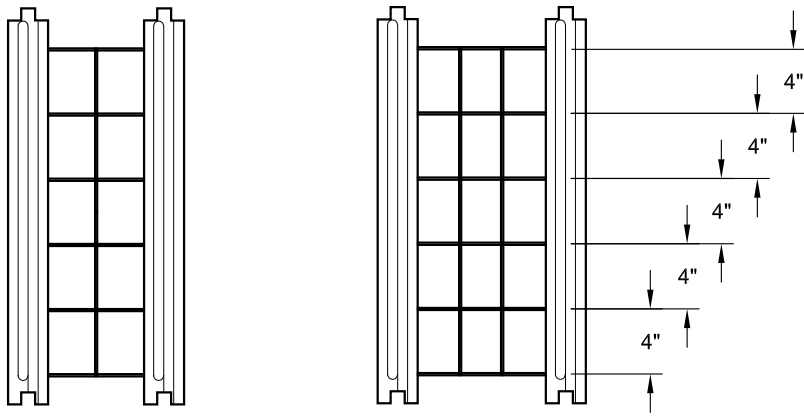


PLAN VIEW



SIDE ELEVATION BOTH SIDES



6" WEB

8" WEB

Form Type	Dimensions			Web Spacing	Wall Area/form (sf)	Concrete Volume/form (cu yd)	Approx. Form Wt. (lbs)
	A	B	C				
6"	11"	6"	2-1/2"	6"	8.00	0.1481	13.6
8"	13"	8"	2-1/2"				

NOTES:

1. INSTALLATION TO BE COMPLETED IN ACCORDANCE WITH MANUFACTURER'S SPECIFICATIONS.
2. DO NOT SCALE DRAWINGS.
3. IT IS THE RESPONSIBILITY OF THE DESIGNER TO PROVIDE THE INFORMATION REQUIRED TO SUIT LOCAL BUILDING CODES AND REGULATIONS.

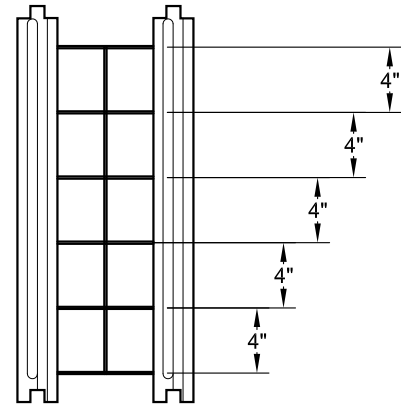
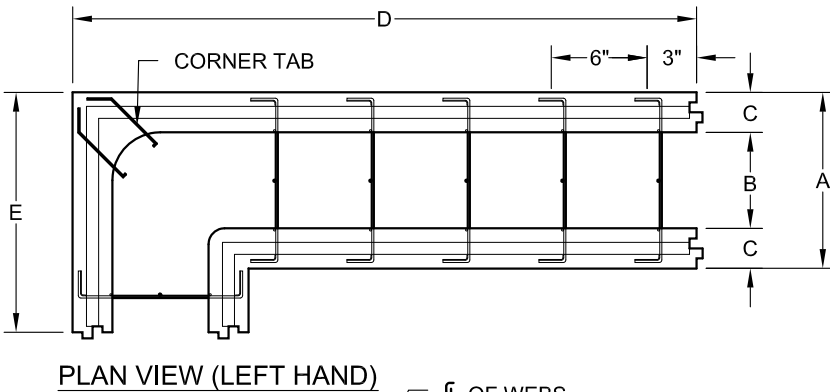
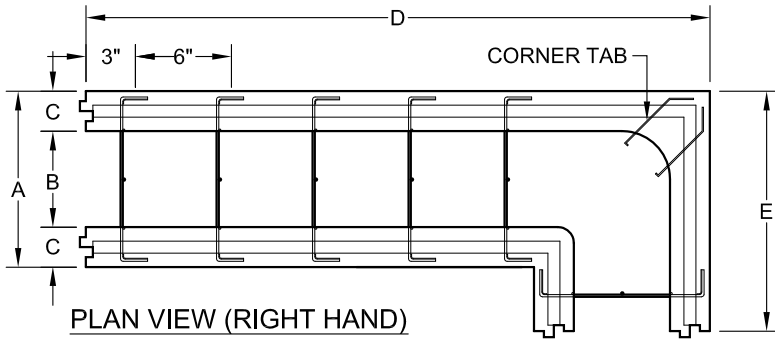
ARXX™ Steel

ARXX CORPORATION

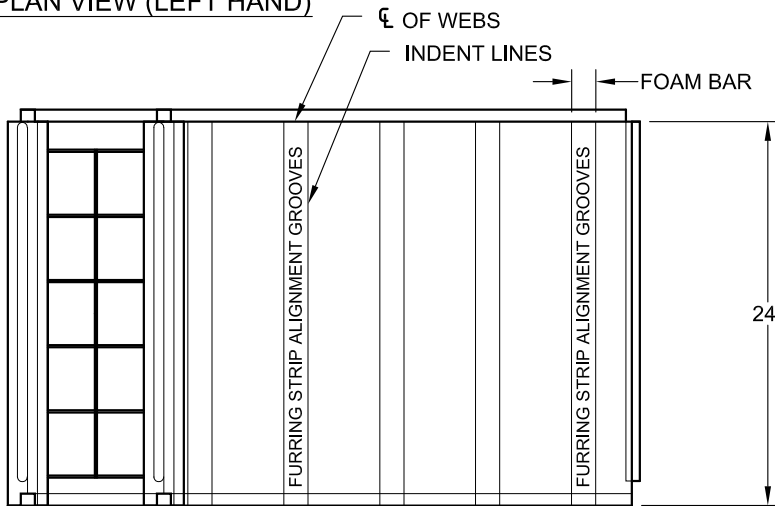
800 DIVISION STREET
 COBOURG, ONTARIO K9A 5V2
 P: 800.293.3210
 F: 905.373.8301

ARXX Steel Standard Forms

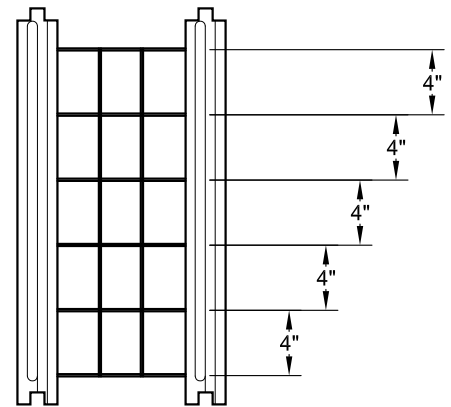
Revision No.:	Dwg. No.	S11-001
Revision Date		
Drawn By:	Date:	Scale:
LMB	2010-04-01	NTS



6" WEB



SIDE ELEVATION (LEFT HAND)



8" WEB

Form Type	Dimensions					Wall Area/form (sf)	Concrete Volume/form (cu yd)	Approx. Form Wt. (lbs)
	A	B	C	D	E			
6"	11"	6"	2-1/2"	39"	15"	9.00	0.1250	12
8"	13"	8"	2-1/2"	41"	17"	9.66	0.1750	

NOTES:

1. INSTALLATION TO BE COMPLETED IN ACCORDANCE WITH MANUFACTURER'S SPECIFICATIONS.
2. DO NOT SCALE DRAWINGS.
3. IT IS THE RESPONSIBILITY OF THE DESIGNER TO PROVIDE THE INFORMATION REQUIRED TO SUIT LOCAL BUILDING CODES AND REGULATIONS.

ARXXTM Steel

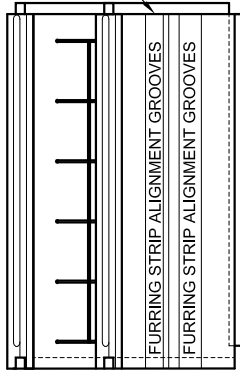
ARXX CORPORATION

800 DIVISION STREET
 COBOURG, ONTARIO K9A 5V2
 P: 800.293.3210
 F: 905.373.8301

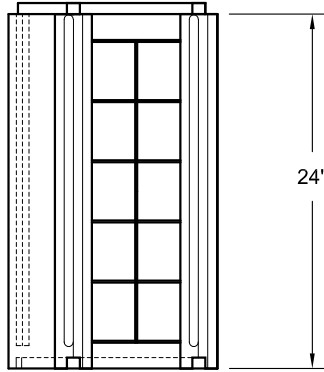
ARXX Steel 90° Corner Forms

Revision No.:	Dwg. No.	S11-002
Revision Date		
Drawn By:	Date:	Scale:
LMB	2010-07-30	NTS

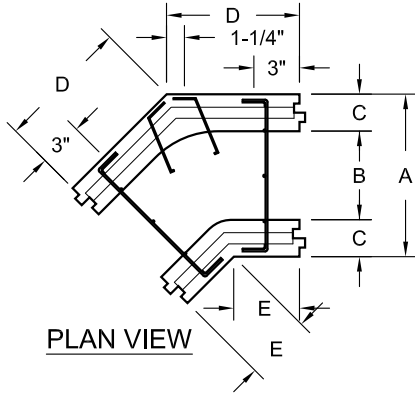
☒ OF WEBS



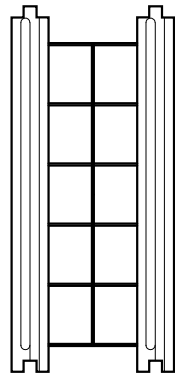
SIDE ELEVATION - FRONT



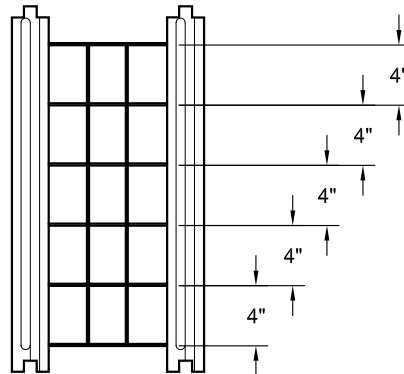
SIDE ELEVATION - END



PLAN VIEW



6" WEB



8" WEB

Form Type	Dimensions					Wall Area/form (sf)	Concrete Volume/form (cu yd)
	A	B	C	D	E		
6"	11"	6"	2-1/2"	9"	4-7/16"	3.00	0.0411
8"	13"	8"	2-1/2"	10"	4-5/8"	3.33	0.0597

NOTES:

1. INSTALLATION TO BE COMPLETED IN ACCORDANCE WITH MANUFACTURER'S SPECIFICATIONS.
2. DO NOT SCALE DRAWINGS.
3. IT IS THE RESPONSIBILITY OF THE DESIGNER TO PROVIDE THE INFORMATION REQUIRED TO SUIT LOCAL BUILDING CODES AND REGULATIONS.

ARXX[™] Steel

ARXX CORPORATION

800 DIVISION STREET
 COBOURG, ONTARIO K9A 5V2
 P: 800.293.3210
 F: 905.373.8301

ARXX Steel 45° Corner Forms

Revision No.:

Dwg. No.

Revision Date

S11-003

Drawn By:

LMB

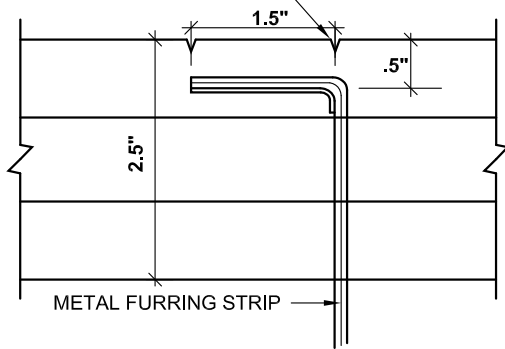
Date:

2010-04-01

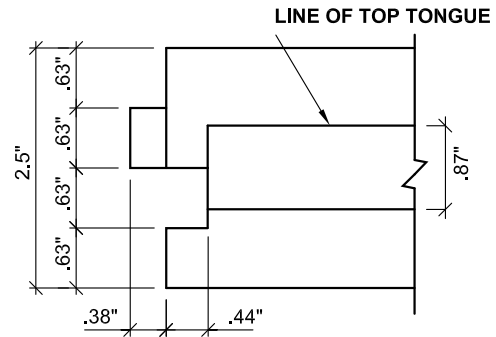
Scale:

NTS

FURRING STRIP ALIGNMENT GROOVES
 DEFINE ALL FURRING STRIPS
 .062" DEEP x .062" WIDE

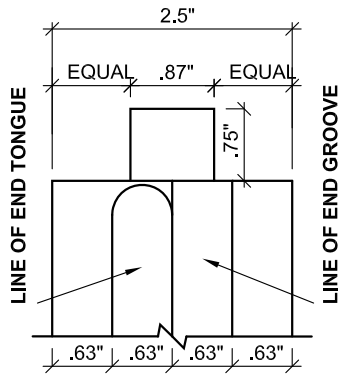


STEEL WEB PLAN DETAIL

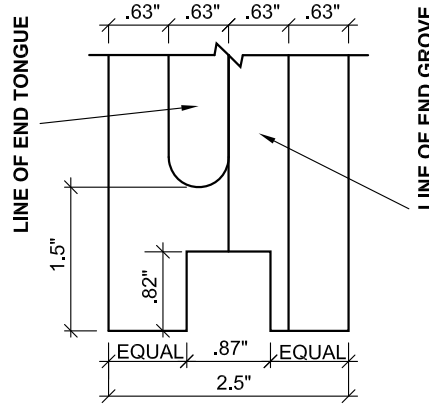


PLAN END TONGUE & GROOVE

NOTE: THE TONGUE & GROOVE ARE REVERSED
 AT OPPOSITE ENDS OF FORMS



TOP TONGUE DETAIL



BOTTOM GROOVE DETAIL

NOTES:

1. INSTALLATION TO BE COMPLETED IN ACCORDANCE WITH MANUFACTURER'S SPECIFICATIONS.
2. DO NOT SCALE DRAWINGS.
3. IT IS THE RESPONSIBILITY OF THE DESIGNER TO PROVIDE THE INFORMATION REQUIRED TO SUIT LOCAL BUILDING CODES AND REGULATIONS.

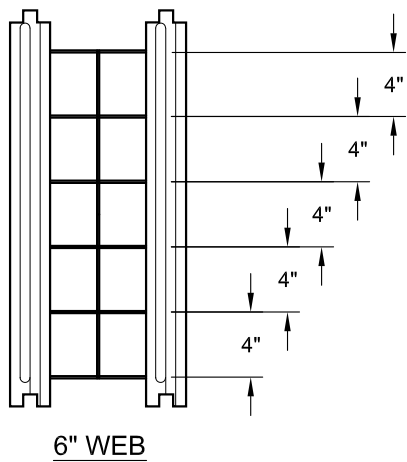
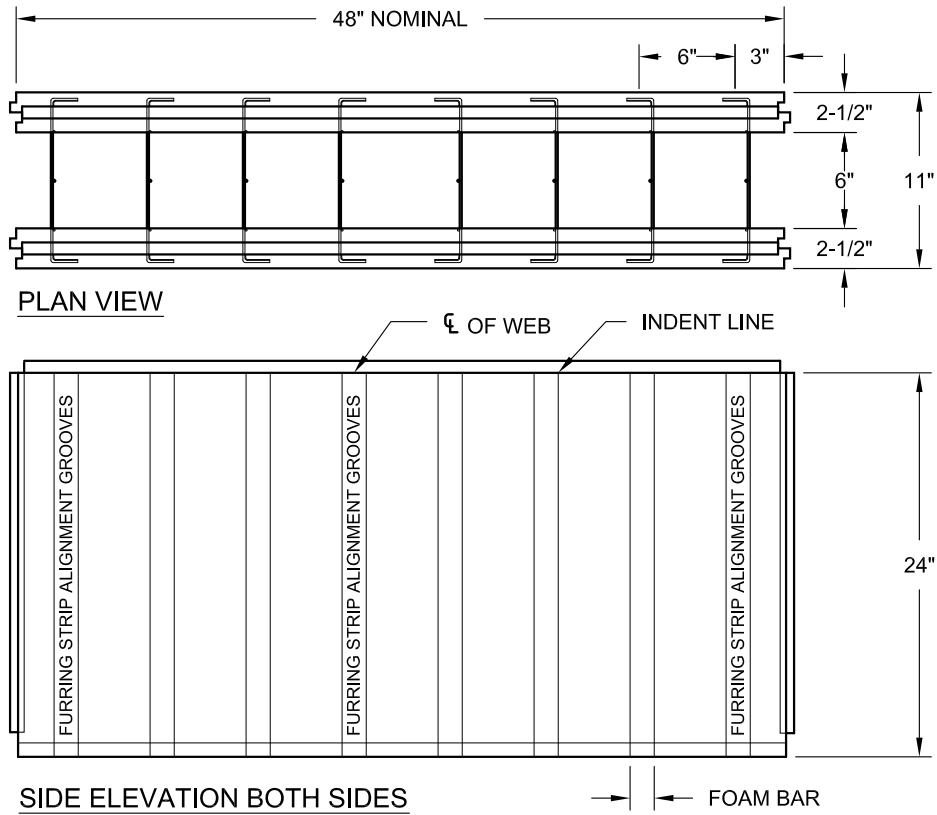
ARXX™ Steel

ARXX CORPORATION

800 DIVISION STREET
 COBOURG, ONTARIO K9A 5V2
 P: 800.293.3210
 F: 905.373.8301

ARXX Steel Form Details

Revision No.:	Dwg. No.
Revision Date	S11-004
Drawn By:	Date: 2010-06-16
TN	Scale: NTS



WEB SPACING: 6"
 WALL AREA/FORM (SF): 8.00
 CONCRETE VOLUME/FORM (CU YD): 0.1980
 APPROX. FORM WEIGHT (LBS): 13.6

NOTES:

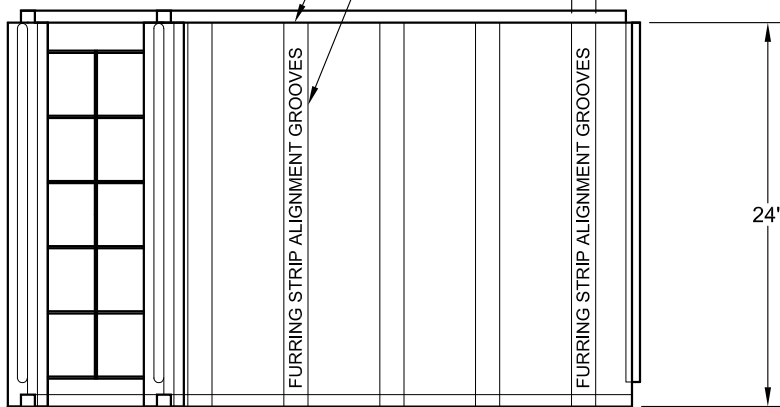
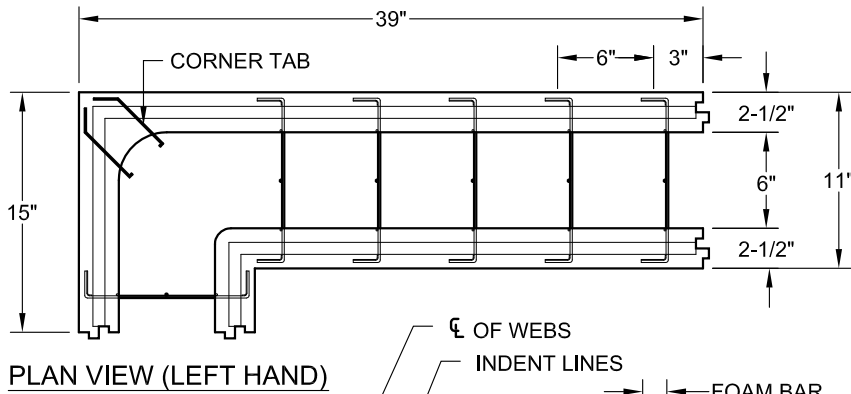
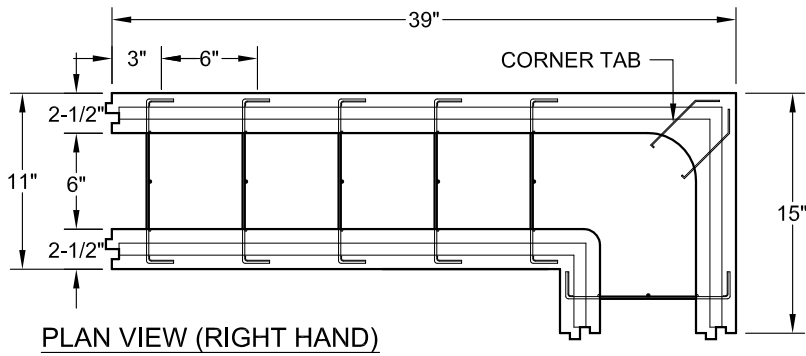
1. INSTALLATION TO BE COMPLETED IN ACCORDANCE WITH MANUFACTURER'S SPECIFICATIONS.
2. DO NOT SCALE DRAWINGS.
3. IT IS THE RESPONSIBILITY OF THE DESIGNER TO PROVIDE THE INFORMATION REQUIRED TO SUIT LOCAL BUILDING CODES AND REGULATIONS.

ARXX™ Steel

ARXX CORPORATION
 800 DIVISION STREET
 COBOURG, ONTARIO K9A 5V2
 P: 800.293.3210
 F: 905.373.8301

ARXX Steel 6" Standard Form

Revision No.:	Dwg. No.	
Revision Date	6S11-010	
Drawn By:	Date:	Scale:
LMB	2010-04-01	NTS



WALL AREA/FORM (SF): 9.00
 CONCRETE VOLUME/FORM (CU YD): 0.1250
 APPROX. FORM WEIGHT (LBS): 12

NOTES:

1. INSTALLATION TO BE COMPLETED IN ACCORDANCE WITH MANUFACTURER'S SPECIFICATIONS.
2. DO NOT SCALE DRAWINGS.
3. IT IS THE RESPONSIBILITY OF THE DESIGNER TO PROVIDE THE INFORMATION REQUIRED TO SUIT LOCAL BUILDING CODES AND REGULATIONS.

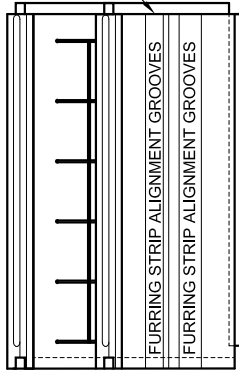
ARXX™ Steel

ARXX CORPORATION
 800 DIVISION STREET
 COBOURG, ONTARIO K9A 5V2
 P: 800.293.3210
 F: 905.373.8301

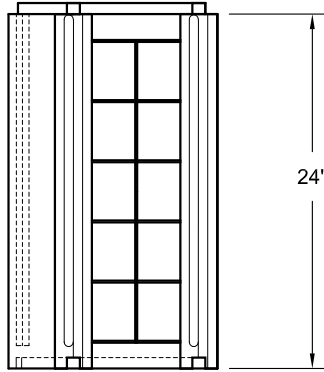
ARXX Steel 6" 90° Corner Form

Revision No.:	Dwg. No.	6S11-011	
Revision Date			
Drawn By:	Date:	Scale:	
LMB	2010-07-30	NTS	

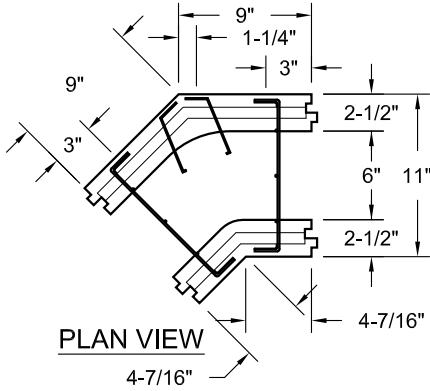
☒ OF WEBS



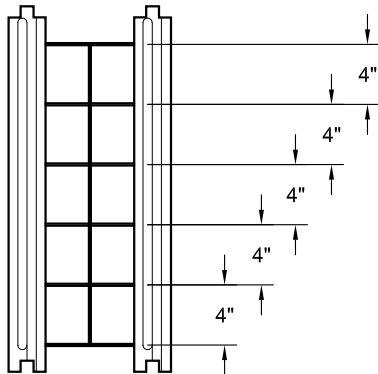
SIDE ELEVATION - FRONT



SIDE ELEVATION - END



PLAN VIEW



6" WEB

WALL AREA/FORM (SF): 3.00
 CONCRETE VOLUME/FORM (CU YD): 0.0411

NOTES:

1. INSTALLATION TO BE COMPLETED IN ACCORDANCE WITH MANUFACTURER'S SPECIFICATIONS.
2. DO NOT SCALE DRAWINGS.
3. IT IS THE RESPONSIBILITY OF THE DESIGNER TO PROVIDE THE INFORMATION REQUIRED TO SUIT LOCAL BUILDING CODES AND REGULATIONS.

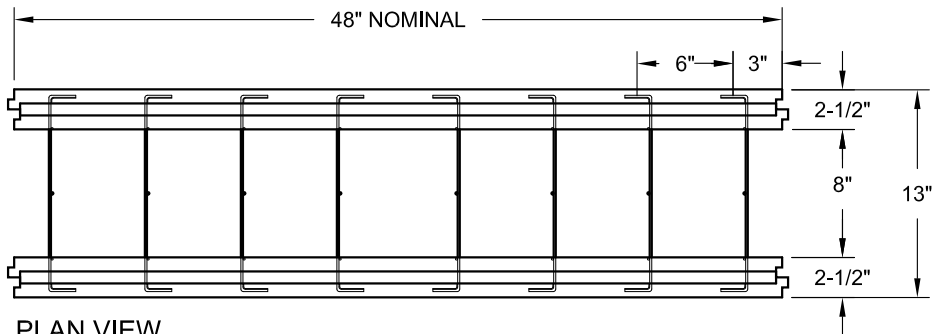
ARXX™ Steel

ARXX CORPORATION

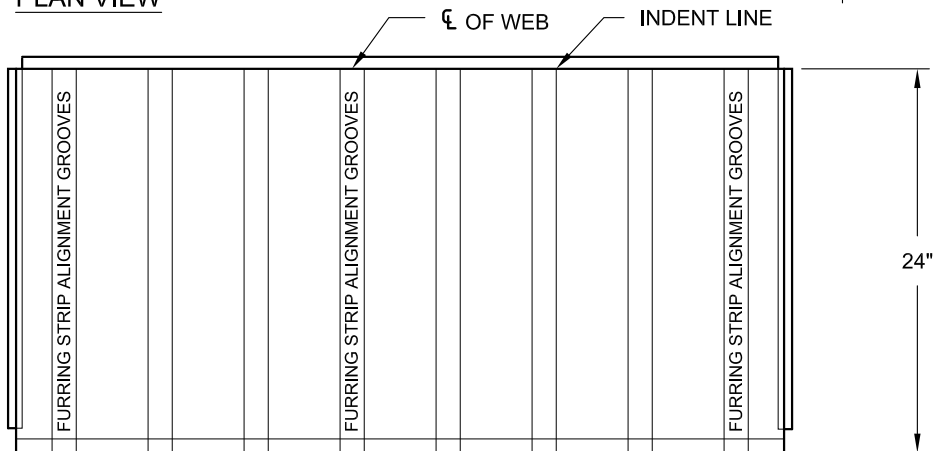
800 DIVISION STREET
 COBOURG, ONTARIO K9A 5V2
 P: 800.293.3210
 F: 905.373.8301

ARXX Steel 6" 45° Corner Form

Revision No.:	Dwg. No.	6S11-012
Revision Date		
Drawn By:	Date:	Scale:
LMB	2010-04-01	NTS

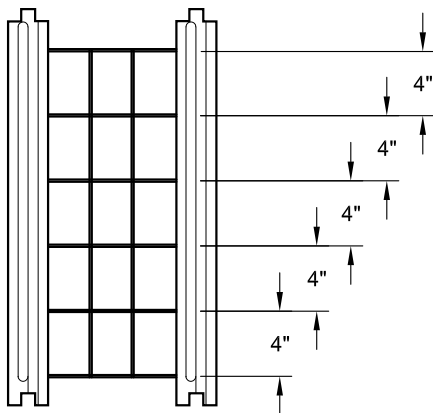


PLAN VIEW



SIDE ELEVATION BOTH SIDES

→ | ← FOAM BAR



8" WEB

WEB SPACING: 6"

WALL AREA/FORM (SF): 8.00

CONCRETE VOLUME/FORM (CU YD): 0.1980

APPROX. FORM WEIGHT (LBS): 14.5

NOTES:

1. INSTALLATION TO BE COMPLETED IN ACCORDANCE WITH MANUFACTURER'S SPECIFICATIONS.
2. DO NOT SCALE DRAWINGS.
3. IT IS THE RESPONSIBILITY OF THE DESIGNER TO PROVIDE THE INFORMATION REQUIRED TO SUIT LOCAL BUILDING CODES AND REGULATIONS.

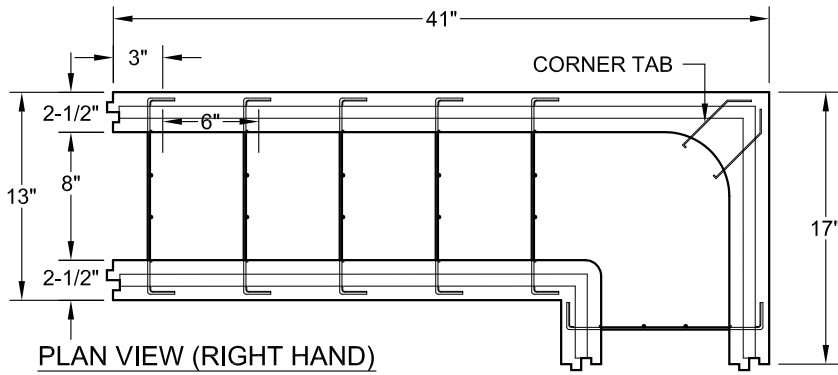
ARXX™ Steel

ARXX CORPORATION

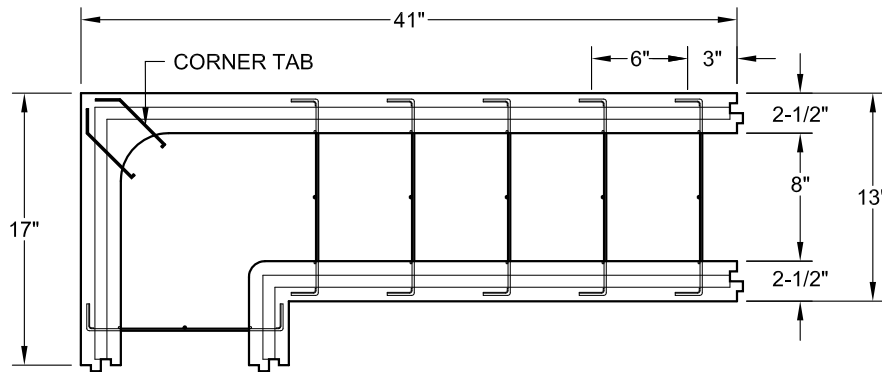
800 DIVISION STREET
 COBOURG, ONTARIO K9A 5V2
 P: 800.293.3210
 F: 905.373.8301

ARXX Steel 8" Standard Form

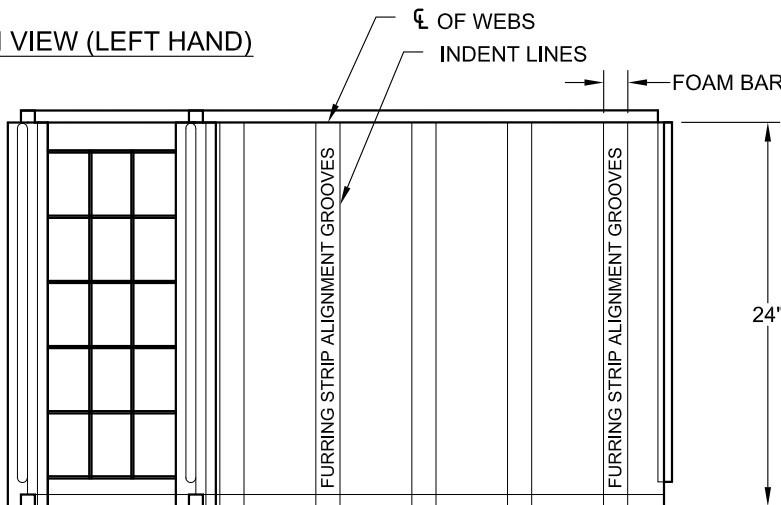
Revision No.:	Dwg. No.	8S11-013
Revision Date		
Drawn By:	Date:	Scale:
LMB	2010-04-01	NTS



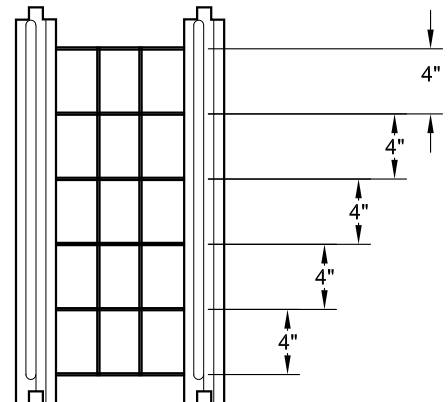
PLAN VIEW (RIGHT HAND)



PLAN VIEW (LEFT HAND)



SIDE ELEVATION (LEFT HAND)



8" WEB

WALL AREA/FORM (SF): 9.66
 CONCRETE VOLUME/FORM (CU YD): 0.1750
 APPROX. FORM WEIGHT (LBS): 12

NOTES:

1. INSTALLATION TO BE COMPLETED IN ACCORDANCE WITH MANUFACTURER'S SPECIFICATIONS.
2. DO NOT SCALE DRAWINGS.
3. IT IS THE RESPONSIBILITY OF THE DESIGNER TO PROVIDE THE INFORMATION REQUIRED TO SUIT LOCAL BUILDING CODES AND REGULATIONS.

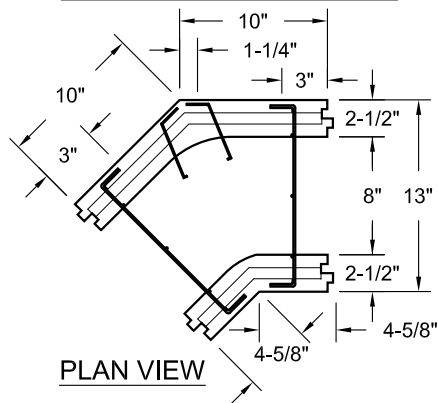
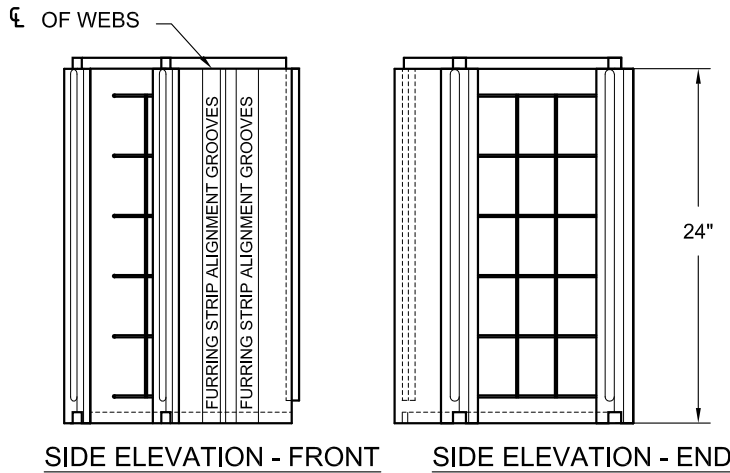
ARXXTM Steel

ARXX CORPORATION

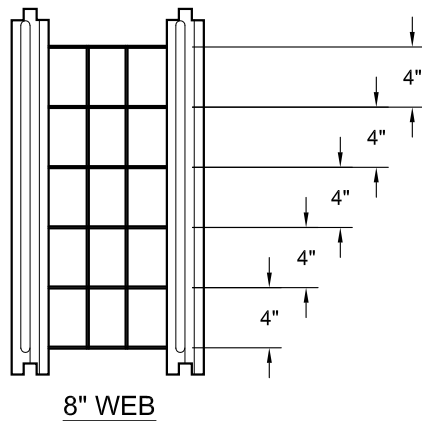
800 DIVISION STREET
 COBOURG, ONTARIO K9A 5V2
 P: 800.293.3210
 F: 905.373.8301

ARXX Steel 8" 90° Corner Form

Revision No.:	Dwg. No.
Revision Date	8S11-014
Drawn By:	Date:
LMB	2010-07-30
	Scale:
	NTS



PLAN VIEW



8" WEB

WALL AREA/FORM (SF): 3.33
 CONCRETE VOLUME/FORM (CU YD): 0.0597

NOTES:

1. INSTALLATION TO BE COMPLETED IN ACCORDANCE WITH MANUFACTURER'S SPECIFICATIONS.
2. DO NOT SCALE DRAWINGS.
3. IT IS THE RESPONSIBILITY OF THE DESIGNER TO PROVIDE THE INFORMATION REQUIRED TO SUIT LOCAL BUILDING CODES AND REGULATIONS.

ARXX™ Steel

ARXX CORPORATION
 800 DIVISION STREET
 COBOURG, ONTARIO K9A 5V2
 P: 800.293.3210
 F: 905.373.8301

ARXX Steel 8" 45° Corner Form

Revision No.:	Dwg. No.	8S11-015
Revision Date		
Drawn By:	Date:	Scale:
LMB	2010-04-01	NTS